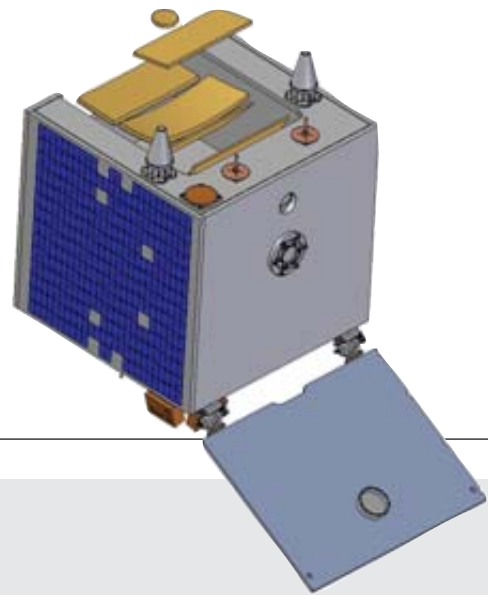


SSTL 100 v 3.0



Enhanced true colour imaging

Next generation SSTL 100 platform.

A new imaging system with more spectral bands and a wide imaging swath, giving much improved imagery in both quality and quantity for a variety of applications.

The addition of SWIR and blue spectral bands provides true colour imaging with increased information density, broadening the range of applications.

The single aperture optical design, developed in-house by our highly skilled optical engineers greatly enhances the performance of the SSTL-100 platform while benefiting from its proven heritage

This platform is ideal for customers seeking to exploit the ever improving services on offer from small satellites.

More innovation, applications and value from Surrey Satellite Technology Ltd.



14m GSD image of Vancouver airport

Commercial

SSTL, via its commercial partners, offers a global resale network to sell images to customers around the world, supporting satellite programmes on an ongoing basis.

The SSTL 100 v 3.0 is the next evolution of the highly successful SSTL 100 platform. Benefiting from recent advances in technology, including an enhanced imaging system, the platform acquires imagery in multiple spectral bands at 15m GSD or better.

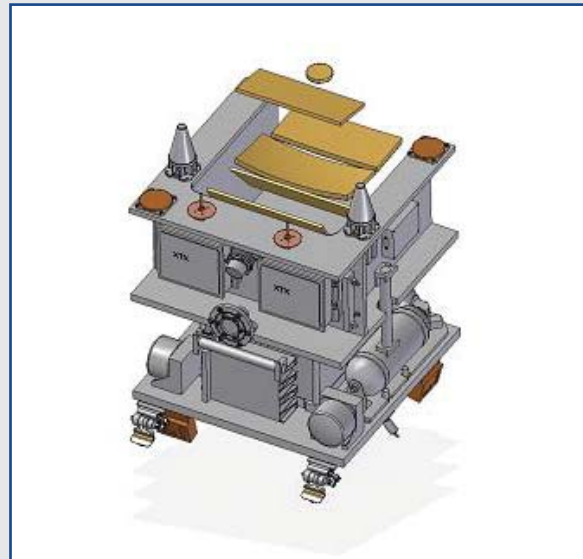
Applications

Suitable for a wide variety of commercial, civil and security applications. Typical examples include:

- Mapping
- Agricultural monitoring
- Flood monitoring
- Water quality
- Disaster management
- Water quality
- National and urban mapping
- Geological mapping
- Vegetation mapping
- High accuracy land cover assessments

100 v 3.0 Performance

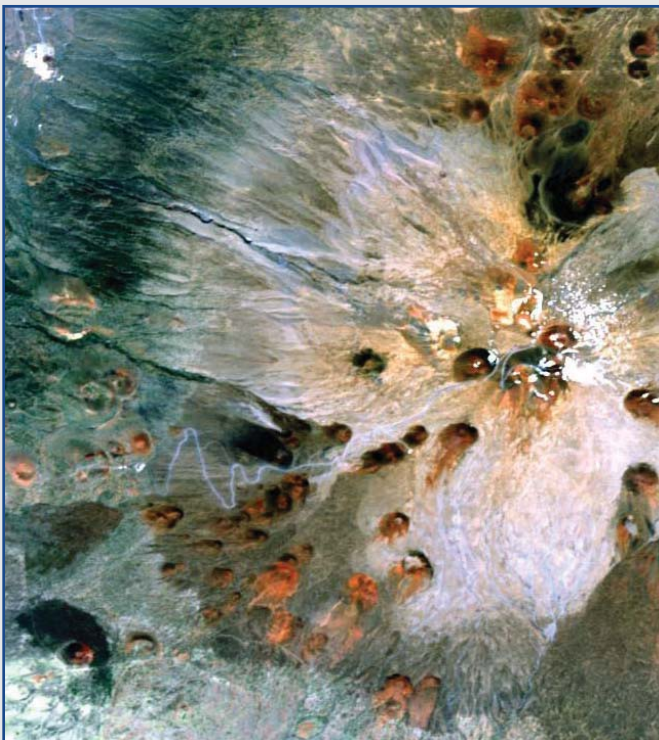
Mission and System	
Reference orbit	703 km, SSO, 10:30am LTAN
Design lifetime	5 years
Satellite	
Mass	100 kg
Spectral bands	SWIR 1550-1750 nm Blue 450-515 nm Green 525-605 nm Red 630-690 nm NIR 774-900 nm
GSD	10 - 15 m VSNIR 20 - 30 m SWIR
Swath	440 km
SNR	All bands >100:1
Data products	Radiometrically and geometrically calibrated images



SSTL's innovative new imager has a single aperture all reflective optical design allowing it to accommodate many spectral bands with good optical performance. A custom focal plane with an innovative result produces a very wide imaging swath.

In a constellation...

When used in a constellation this spacecraft offers good revisit rates and advanced direct downlink modes offering opportunities for international collaboration.



14m GSD image of Mauna Kea, Hawaii

Surrey Satellite Technology Limited

SSTL has launched 34 satellites, gaining 200 years in-orbit experience. SSTL draws on its world-class expertise in both small satellite platform technology and high and medium resolution optical instruments. SSTL provides complete turn-key system solutions; spacecraft, ground station, launch, operations and image processing.

SSTL is unique in the space industry; able to design, manufacture and integrate multiple satellites in-house.

Changing the economics of space
www.sstl.co.uk